

Hygroscopic Cable Ties

Nylon cable ties are hygroscopic – meaning they absorb and release water as the atmosphere changes.

Understanding this characteristic is important, especially in winter months when conditions may be not only cold but also dry. If you are having trouble with cable ties becoming brittle or breaking when tension is applied, it will most likely be because of a lack of moisture content.

A moisture content of 2.5% allows for flexibility and easy bending of the straps. When moisture in the product is below 1%, they can become brittle.

To ensure your cable ties are in optimal condition, always keep them stored in a sealed bag to help retain their moisture content.



IONNIC has a wide range of Cable Ties in Natural and UV resistant black nylon. See page 34 for the full range.



Fitting Accessories

Grommets, Bushings & Glands 32

Cable Ties 34

Clips & Clamps 37

Electrical Tape 42

Mémocab Marking System 43

Terminal Insulators/Boots 44

Fitting Accessories

Grommets, Bushings & Glands



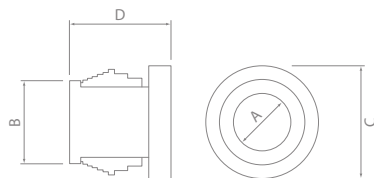
- Quick and simple cable retention without the use of tools.
- Acts as a strain relief.
- Cable Gland Kits are sealed to IP68 when installed to manufacturer's specifications.



Cable Grommets

Pack Qty - 5	Pack Qty - 10	Pack Qty - 25	Pack Qty - 50	Cable Ø A (mm)	Cutout Ø B (mm)	C (mm)	D (mm)
—	RG1-12/10	—	RG1-12/50	4 - 7	12.5	12.6	20
—	RG1-16/10	—	RG1-16/50	5 - 8	16	17.8	21
—	RG1-19/10	—	RG1-19/50	7 - 10	19	19.8	24
—	RG1-23/10	—	RG1-23/50	10 - 14	23	21.6	28
RG1-29/5	—	RG1-29/25	—	14 - 20	29	24.6	35
RG1-38/5	—	RG1-38/25	—	20 - 26	38	28.5	46
—	RG1-48/10	—	—	26 - 35	48	34.9	58

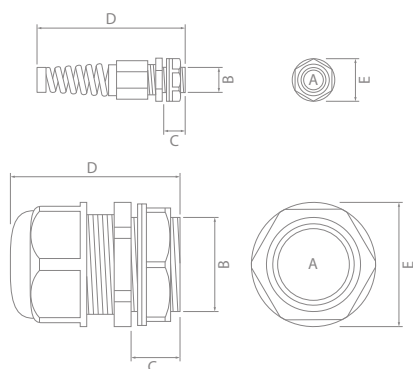
Fitting Accessories



SB10/100

Snap Bushings

Pack Qty - 100	Cable Ø A (mm)	Mounting Hole Ø B (mm)	C (mm)	D (mm)
SB08/100	5.8	7.9	10.5	8.0
SB10/100	6.4	9.5	12.0	10.3
SB13/100	8.0	12.7	15.0	10.3
SB14/100	11.4	14.3	17.0	10.3
SB16/100	12.7	15.9	18.6	10.3
SB22/100	17.5	22.2	24.2	11.5



Cable Gland Kits

Pack Qty - 1	Pack Qty - 10	Clamping Range A (mm)	Thread Size (B & C)	D (mm)	E (mm)
CG12	CG12/10	2.5 - 6.5	M12 x 8mm	30	19
CG16	CG16/10	3.5 - 10	M16 x 15mm	45	25
CG16SR	—	4 - 8	M16 x 15mm	90	25
CG20	CG20/10	7 - 14	M20 x 15mm	48	29
CG25	CG25/10	9 - 18	M25 x 15mm	51	36
CG32	CG32/10	14 - 25	M32 x 15mm	55	46
CG40	—	18 - 32	M40 x 16mm	65	59
CG50	—	24 - 38	M50 x 16mm	72	67
CG63	—	35 - 48	M60 x 16mm	67	80

Cable Gland Kits are sealed to IP68 when installed to manufacturer's specifications.

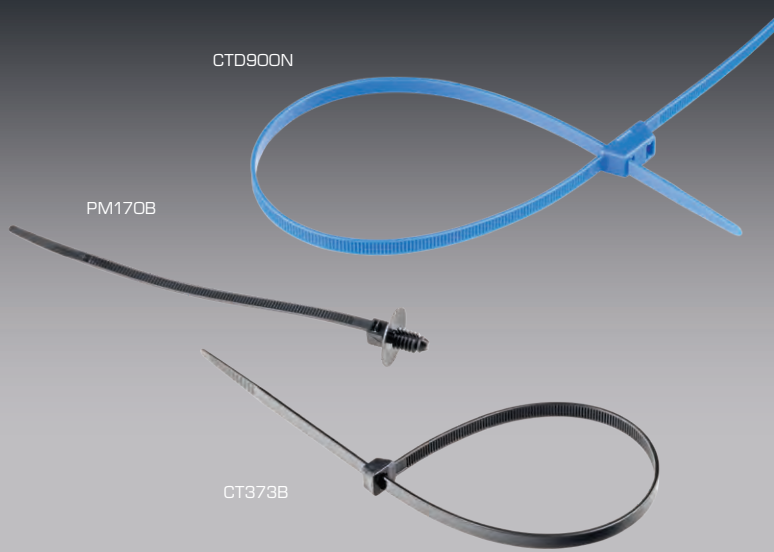
Kits contain:

- 1 x Adaptor Body
- 1 x Conical Seal
- 1 x Conical Clamp
- 1 x Cap Nut
- 1 x Flat Washer
- 1 x Nut



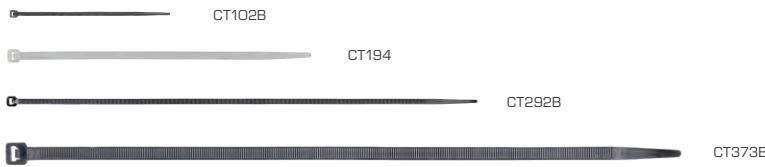
Fitting Accessories

Cable Ties



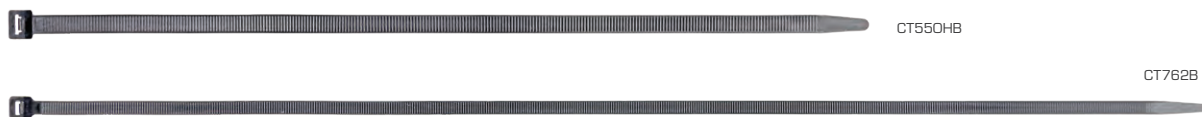
- Wide range of sizes available.
- UV resistant black nylon for extended cable tie life in outdoor environments.
- Mounting accessories available.
- Dual models available.
- Releasable model available.

Material : Natural Nylon
 Black, Blue UV resistant Nylon
 Operating Temperature: -40°C to 85°C



Cable Ties – Standard Duty

Colour		Dimensions (mm)	Pack Qty
Black	Natural		
CT102B	CT102	100 x 2.5	100
CT143B	CT143	142 x 3.2	100
CT194B	CT194	190 x 4.8	100
CT200B	—	203 x 7.6	100
CT280B	CT280	280 x 4.8	100
CT300B	—	300 x 7.6	100
CT292B	—	295 x 3.6	100
CT370B	—	368 x 4.8	100
CT373B	—	370 x 7.6	100
CT432B	—	432 x 4.8	100



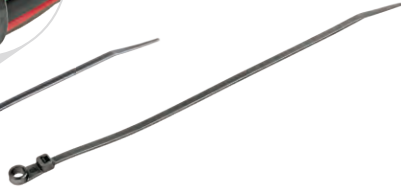
Cable Ties – Heavy Duty

Colour – Black	Dimensions (mm)	Pack Qty
CT550HB	550 x 12.7	100
CT533B	550 x 8.0	100
CT762B	762 x 9.0	100

Fitting Accessories



SM143B



SM194B

Zip release



NEW

PM170B

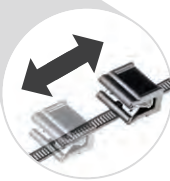


PM194B

NEW



CTE3-194B



Head can slide up and down tie on both edge mount models



NEW



CTE6-194B



Identification ties can be written on using permanent markers

IT102



NEW



CTD490B



NEW

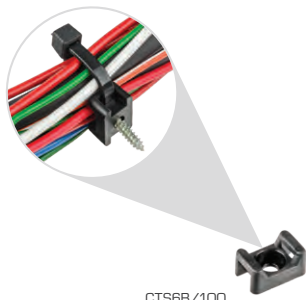
CTD900N

Cable Ties – Specialty

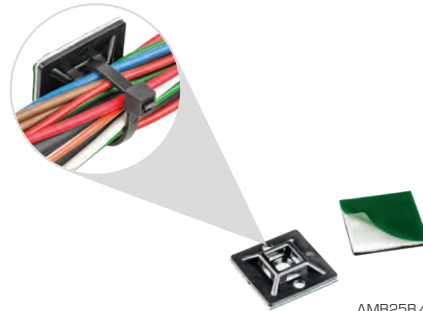
Part No.	Description	Dimensions (mm)	Colour	Pack Qty
SM143B	Screw mount – Ø4mm hole	155 x 3.7	Black	100
SM194B	Screw mount – Ø5.5mm hole	200 x 4.2	Black	100
PM170B NEW	Push mount – Ø7mm hole. Releasable zip	170 x 4.8	Black	100
PM194B	Push mount – Ø6.2mm hole	200 x 4.8	Black	100
CTE3-194B NEW	Edge mount – suits 1–3mm edge thickness	200 x 4.8	Black	25
CTE6-194B NEW	Edge mount – suits 3–6mm edge thickness	200 x 4.8	Black	25
IT102	Identification Tie	100 x 2.5	Natural	100
CTD490B NEW	Dual clamp 'handcuff'. Screw mount – Ø5.5mm hole	489 x 12.7	Black	10
CTD900N NEW	Dual clamp 'handcuff'	900 x 8.0	Blue	10



Fitting Accessories



CTS6B/100



AMB25B/100



HT-34

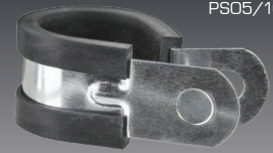
Cable Ties – Accessories

Part No.	Description	Dimensions (mm)	Colour	Max. Cable Tie Width (mm)	Pack Qty
CTS6B/100	Cable Tie Mount	15 x 10	Black	5.1	100
CTS8B/100	Cable Tie Mount	23 x 16	Black	9	100
AMB19B/100	Cable Tie Mount – Adhesive	21.8 x 21.8	Black	4.8	100
AMB25B/100	Cable Tie Mount – Adhesive	26.3 x 26.3	Black	5.6	100
HT-34	Cable Tie Gun Heavy Duty – Metal. Cuts 2.5mm – 4.8mm width				1

- Easy & secure one screw mounting option for one or multiple cables, conduit, hoses etc.
- High corrosion resistance.
- Clips available in stainless steel, electronically galvanised steel and light & heavy duty plastic.
- Available in Stainless steel, Electronically galvanised and Plastic (or is it nylon) series
- Heavy Duty Hose Support Clamps feature 10mm mounting hole.
- Wide range of sizes available.



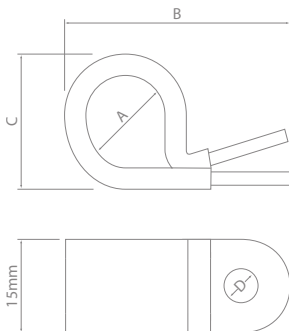
PSPHD09/10



PS05/10



8211035/10



PSP0.5/10



PSP05/10

Hose Support Clamps – Plastic Coated

Part No.	A (mm)	B (mm)	C (mm)	D (mm)	Pack Qty
PSP0.25/10	6	25	9	6.5	10
PSP0.5/10	8	28	12	6.5	10
PSP01/10	10	30	15	6.5	10
PSP02/10	13	34	17	6.5	10
PSP03/10	16	38	21	6.5	10
PSP04/10	19	42	23	6.5	10
PSP05/10	22	44	26	6.5	10
PSP06/10	27	52	30	6.5	10
PSP07/10	32	55	36	6.5	10
PSP08/10	35	60	38	6.5	10
PSP09/10	40	67	43	6.5	10
PSP10/10	45	76	47	6.5	10
PSP11/10	50	80	52	6.5	10
PSP12/10	55	87	57	6.5	10



Fitting Accessories

SAE 304 Stainless Steel

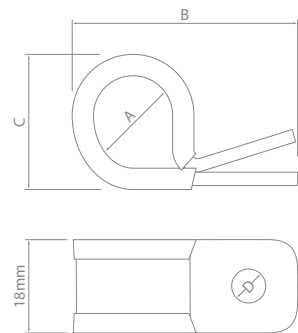


PSS04/10

NEW

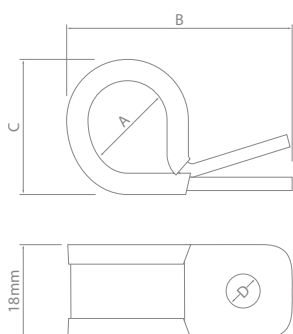


PSS12/10



Hose Support Clamps – Rubber Lined – Stainless Steel NEW

Part No.	A (mm)	B (mm)	C (mm)	D (mm)	Pack Qty
PSS0.25/10	6	29	14	6.5	10
PSS0.5/10	8	33	17	6.5	10
PSS01/10	10	38	19	6.5	10
PSS02/10	13	40	20	6.5	10
PSS03/10	16	44	22	6.5	10
PSS04/10	19	47	25	6.5	10
PSS05/10	22	48	28	6.5	10
PSS06/10	27	56	32	6.5	10
PSS07/10	32	64	36	6.5	10
PSS08/10	35	64	40	6.5	10
PSS09/10	40	70	45	6.5	10
PSS10/10	45	86	46	7	10
PSS11/10	50	86	52	7	10
PSS12/10	55	94	55	7	10
PSS13/10	60	96	62	7	10



PS08/10



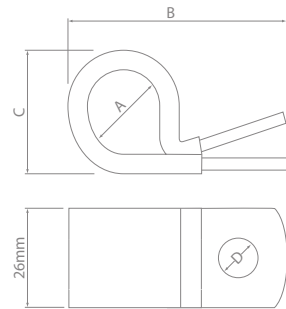
PS01/10

Hose Support Clamps – Rubber Lined

Part No.	A (mm)	B (mm)	C (mm)	D (mm)	Pack Qty
PS0.25/10	6	29	14	6.5	10
PS0.5/10	8	33	17	6.5	10
PS01/10	10	38	19	6.5	10
PS02/10	13	40	20	6.5	10
PS03/10	16	44	22	6.5	10
PS04/10	19	47	25	6.5	10
PS05/10	22	48	28	6.5	10
PS06/10	27	56	32	6.5	10
PS07/10	32	64	36	6.5	10
PS08/10	35	64	40	6.5	10
PS09/10	40	70	45	6.5	10
PS10/10	45	86	46	7	10
PS11/10	50	86	52	7	10
PS12/10	55	94	55	7	10
PS13/10	60	96	62	7	10
PS14/10	66	99	71	7	10
PS15/10	76	103	78	7	10

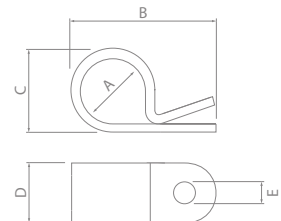


Fitting Accessories



Hose Support Clamps – Heavy Duty – Plastic Coated

Part No.	A (mm)	B (mm)	C (mm)	D (mm)	Pack Qty
PSPHD0.5/10	10	48	16	10	10
PSPHD00/10	12	50	18	10	10
PSPHD01/10	14	52	20	10	10
PSPHD02/10	16	54	22	10	10
PSPHD03/10	18	56	24	10	10
PSPHD04/10	20	64	26	10	10
PSPHD05/10	22	66	28	10	10
PSPHD06/10	24	68	30	10	10
PSPHD07/10	26	71	32	10	10
PSPHD08/10	28	73	34	10	10
PSPHD09/10	30	76	36	10	10
PSPHD10/10	32	78	38	10	10
PSPHD11/10	34	78	38	10	10
PSPHD12/10	36	82	42	10	10
PSPHD13/10	38	85	44	10	10
PSPHD14/10	40	87	45	10	10
PSPHD15/10	42	89	47	10	10
PSPHD16/10	44	92	51	10	10
PSPHD17/10	46	94	53	10	10
PSPHD18/10	48	96	54	10	10



'P' Clamps – Light Duty

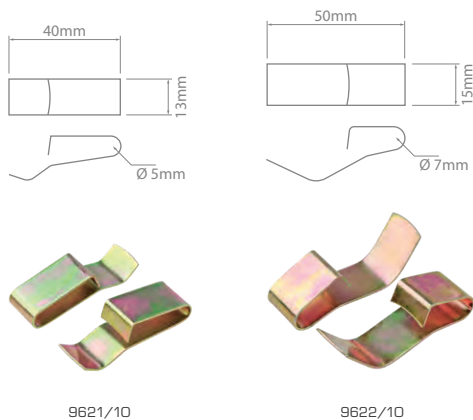
Part No.	A (mm)	B (mm)	C (mm)	D (mm)	E (mm)	Pack Qty
PSN0.5/100	5	19	7	10	5.3	100
PSN01/100	6.4	21	8	10	5.3	100
PSN01.5/100	7.2	23	10	10	5.3	100
PSN02/100	9.5	27	13	13	5.3	100
PSN03/100	12.7	30	14	13	5.3	100
PSN04/100	15.8	35	18	13	5.3	100

Fitting Accessories



'P' Clamps – Heavy Duty – Polyacetal Resin

Part No.	A (mm)	B (mm)	C (mm)	D (mm)	E (mm)	Pack Qty
8211060/10	5.7 – 6.3	28	10	16	6.6	10
8211094/10	8.6 – 9.3	30	14	16	6.6	10
8211108/10	9.5 – 10.3	32	15	16	6.6	10
8211124/10	11.5 – 12.3	34	17	16	6.6	10
8211000/10	12.3 – 13.3	36	18	16	6.6	10
8211035/10	15.5 – 16.3	38	21	16	6.6	10
8211019/10	21.4 – 22.3	47	27	19	6.6	10
8211027/10	24.4 – 25.3	58	32	23	8.6	10



Clips & Clamps

Part No.	Description	Pack Qty
9621/10	Chassis Clips – Medium	10
9622/10	Chassis Clips – Large	10
BHS80	Battery Clamp – 7" bolts. Up to 175mm wide	1
BHS81	Battery Clamp – 5.5" bolts. Up to 135mm wide	1



Fitting Accessories

Electrical Tape



- Chemical, weather and heat resistant.
- Excellent electrical insulation.
- PET cloth for high abrasion and temperature resistance – 150°C.
- PET fleece tape for flexibility and noise damping. Typical use in-cab.
- NO.15 self-fuses creating a seamless waterproof insulating layer.



Electrical Tape

Part No.	Material	Length (m)	Width (mm)	Thickness (mm)	Colour	Elongation	Pack Qty
HP-CT19	PET Cloth	25	19	0.26	Black	40%	1
HP-FT19	PET Fleece	25	19	0.28	Black	20%	1
NITTO21/10	PVC	20	19	0.2	Black	240%	10
PVCTBLK/10	PVC	20	19	0.19	Black	276%	10
NO.15	Self-fusing Butyl Rubber	10	19	0.5	Black	530%	1

- Efficient, professional cable marking system.
- Supplied with everything needed to tag wiring.
- Handy dispenser case allows quick and easy selection of markers using supplied tools.
- Component reference chart included.



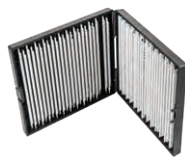
37994

Cable Range : 0.25mm² – 16mm²

Coloured markers also available, for details contact your nearest reseller 1800 724 690



37994, 37999



Dispenser Board filled with markers



Markers



Marker Holders



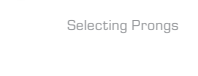
37989



37990



37992



Selecting Prongs



37993

Extractor Tool

Mémocab Marking System Kits

Part No.	Description
37994	Starter Kit

Kit Contains:

- 1 x Dispenser Board (37991)
- 3 x Selecting Prongs (37989, 37990, 37992)
- 1 x Extractor Tool (37993)
- 50 x 0.25–1.5mm² Marker Holders (37930)
- 50 x 0.75–4mm² Marker Holders (37931)
- 50 x 4–16mm² Marker Holders (37932)
- 4 x "0–9" Markers
- 1 x "A–Z" Markers
- 1 x "/", "+", "-" Markers

Part No.	Description
37999	Marking Kit

Kit Contains:

- 1 x Dispenser Board (37991)
- 2 x Selecting Prongs (37990, 37992)
- 1 x Extractor Tool (37993)
- 50 x 0.25–1.5mm² Marker Holders (37936)
- 50 x 0.75–4mm² Marker Holders (37937)
- 50 x 4–16mm² Marker Holders (37938)

Individual marker characters available separately. See component reference chart inside case for listing.



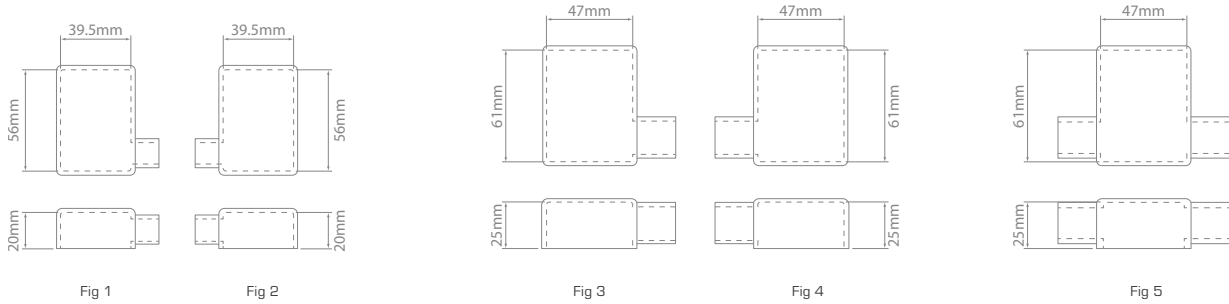
Fitting Accessories



- Protect terminals from electrical shorts and shocks.
- Colour coded for easy pole identification.
- Wide range of sizes & styles available.
- 200 Series feature finger tab for easy remove.
- Bulk packs available for entire range.
- Made in North America.

Made in North America

Material : Flexible PVC
 Burning Behaviour : UL94V2
 Max. Operating Temperature : 105°C



SY2906-RED
(Right hand)



SY2914-BLK
(Left hand)

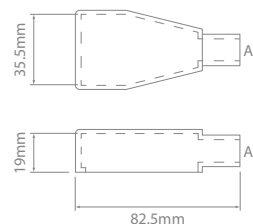


SY2915-RED
(Double)

Battery Terminal Insulators

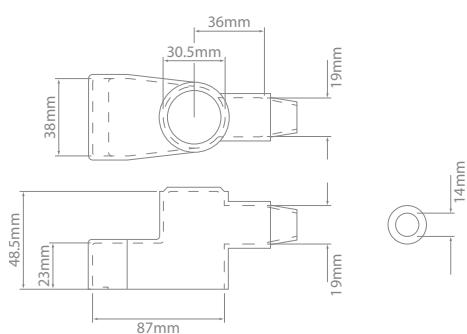
Red	Black	Pack Qty	Post Height (mm)	Cable Ø (mm)	Cable Entry	Material Thickness (mm)	Fig
SY2906-RED	SY2906-BLK	1	20	12.5	Right Hand	1.5	1
SY2906R/100	SY2906B/100	100					
SY2910-RED	SY2910-BLK	1	20	12.5	Left Hand	1.5	2
SY2910R/100	SY2910B/100	100					
SY2912-RED	SY2912-BLK	1	25	17.5	Right Hand	2.3	3
SY2912R/100	SY2912B/100	100					
SY2914-RED	SY2914-BLK	1	25	17.5	Left Hand	2.3	4
SY2914R/100	SY2914B/100	100					
SY2915-RED	SY2915-BLK	1	25	17.5	Double	2.3	5
SY2915R/100	SY2915B/100	100					

Fitting Accessories



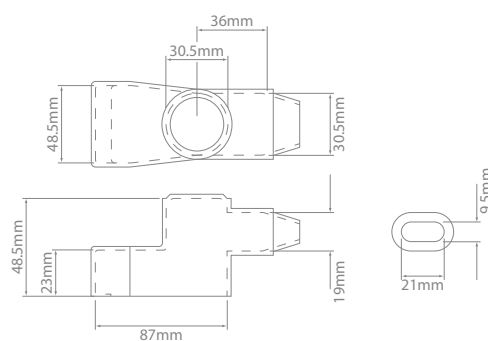
Battery Terminal Insulators – Straight Leads

Red	Black	Pack Qty	Post Height (mm)	Cable Ø A (mm)	Material Thickness (mm)
SY2917-RED	SY2917-BLK	1	19	12.5	2.3
SY2917R/100	SY2917B/100	100			
SY2919-RED	SY2919-BLK	1	19	16	2.3
SY2919R/100	SY2919B/100	100			



SY2990

Fig 1



SY2995

Fig 2

Battery Terminal Insulators

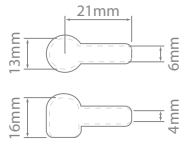
Red	Black	Pack Qty	Terminal Ø (mm)	Post Height (mm)	Material Thickness (mm)	Fig
SY2990-RED	SY2990-BLK	1	30.5	23	2	1
SY2990R/100	SY2990B/100	100				
SY2995-RED	SY2995-BLK	1	30.5	23	2	2
SY2995R/100	SY2995B/100	100				



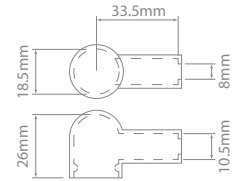
Fitting Accessories



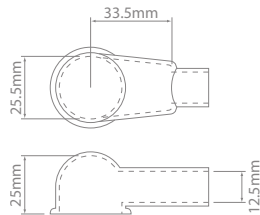
SY2900



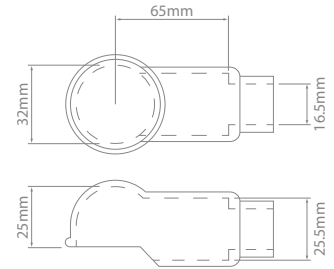
SY2980



SY2982

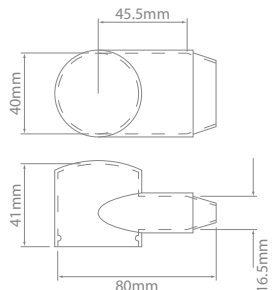


SY2984



Terminal Insulators – Lug & Ring

Red	Black	Pack Qty	Terminal Ø (mm)	Post Height (mm)	Terminal Length (mm)	Inside Grip (mm)	Cable Ø (mm)	Material Thickness (mm)
SY2900-RED	SY2900-BLK	1	13	16	21	6	4-6	1
SY2900R/100	SY2900B/100	100						
SY2980-RED	SY2980-BLK	1	18.5	26	33.5	10.5	8	1.5
SY2980R/100	SY2980B/100	100						
SY2982-RED	SY2982-BLK	1	25.5	25	33.5	12.5	12.5	1.5
SY2982R/100	SY2982B/100	100						
SY2984-RED	SY2984-BLK	1	32	25	65	25.5	16.5	2.5
SY2984R/100	SY2984B/100	100						



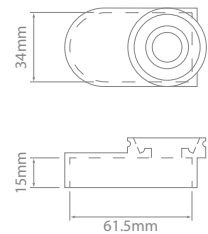
SY2999-RED



SY2998-RED



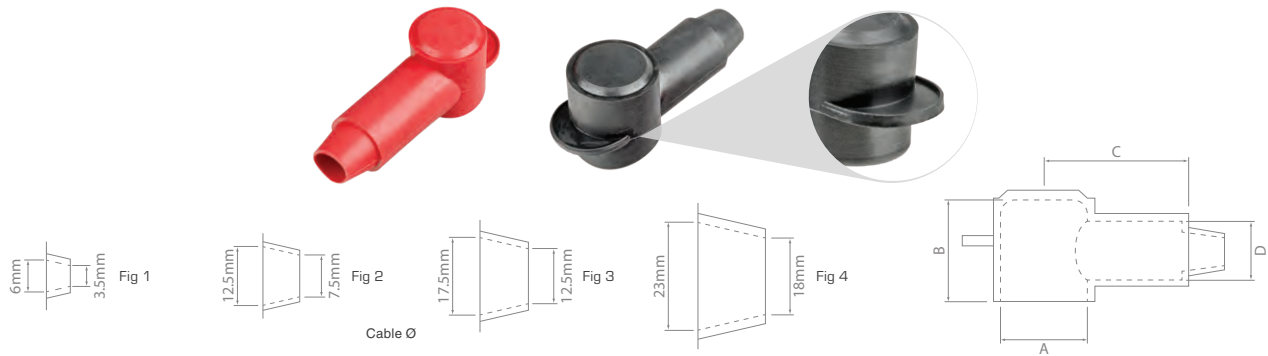
SY2998-RED



Terminal Insulators – Lug & Ring – Marine

Red	Black	Pack Qty	Terminal Ø (mm)	Post Height (mm)	Terminal Length (mm)	Material Thickness (mm)
SY2999-RED	SY2999-BLK	1	40	41	58.5	1.5
SY2999R/100	SY2999B/100	100				
SY2998-RED	SY2998-BLK	1	Base for use with SY2999			2.5

Fitting Accessories



Terminal Insulators – Lug & Ring – 200 Series

Red	Black	Pack Qty	Terminal Ø A (mm)	Post Height B (mm)	Terminal Length C (mm)	Inside Grip D (mm)	Cable Ø Fig	Material Thickness (mm)
SY2959-RED	SY2959-BLK	1	12	18	25.5	12.5	1	1.5
SY2959R/100	SY2959B/100	100						
SY2960-RED	SY2960-BLK	1	14	19	25.5	12.5	1	1.5
SY2960R/100	SY2960B/100	100						
SY2963-RED	SY2963-BLK	1	16	20.5	25.5	12.5	2	1.5
SY2963R/100	SY2963B/100	100						
SY2965-RED	SY2965-BLK	1	18	22	25.5	12.5	2	1.5
SY2965R/100	SY2965B/100	100						
SY2966-RED	SY2966-BLK	1	20	24	33.5	18	3	1.8
SY2966R/100	SY2966B/100	100						
SY2968-RED	SY2968-BLK	1	22	26.5	44.5	19	3	1.8
SY2968R/100	SY2968B/100	100						
SY2971-RED	SY2971-BLK	1	26	32	52.5	18	3	2
SY2971R/100	SY2971B/100	100						
SY2970-RED	SY2970-BLK	1	28	33.5	44.5	19	3	2.3
SY2970R/100	SY2970B/100	100						
SY2973-RED	SY2973-BLK	1	32	38	44.5	23	3	2.5
SY2973R/100	SY2973B/100	100						
SY2974-RED	SY2974-BLK	1	32	38	60.5	23	3	2.5
SY2974R/100	SY2974B/100	100						
SY2975-RED	SY2975-BLK	1	32	38	44.5	23	4	2.5
SY2975R/100	SY2975B/100	100						



Terminal Insulators – 121/123 Series Circuit Breakers

Red	Black	Pack Qty
CB121BOOT-RED	CB121BOOT-BLK	1
CB121R/10	CB121B/10	10
CB121R/100	CB121B/100	100

